



LED Wall Mount

BWS150 LED200/WW PSU 220-240V 7043

LED Low Power – Power supply unit

People want to create a pleasant atmosphere around their property – something that will catch visitors’ attention, make them feel good and want to come back again. They would like to be able to create an appealing ambience at minimum cost, though without compromising on the quality of the lighting. Combining a simple round design with reliable lighting performance, this low-cost white-light LED wall fixture with opal diffuser delivers a soft light effect with attractive uniformity.

Product data

| General Information | |
|-------------------------------|---|
| Number of light sources | 96 pcs |
| Lamp family code | LED-LP [LED Low Power] |
| Light source color | 830 warm white |
| Light source replaceable | No |
| Number of gear units | 1 unit |
| Driver/power unit/transformer | Power supply unit |
| Driver included | Yes |
| Optical cover/lens type | Polycarbonate bowl/cover UV-resistant |
| Control interface | - |
| Connection | Screw connection block |
| Cable | Cable without plug 2-pole |
| Protection class IEC | Safety class II |
| Flammability mark | For mounting on normally flammable surfaces |
| CE mark | CE mark |
| Warranty period | 1 years |
| RAL color | Traffic gray B (7043) |
| Constant light output | No |

| Number of products on MCB of 16 A type B 1 | |
|--|-----|
| Light source engine type | LED |

| Operating and Electrical | |
|--------------------------|--------------|
| Input Voltage | 220 to 240 V |
| Input Frequency | 50 to 60 Hz |
| Power Factor (Min) | 0.4 |

| Controls and Dimming | |
|----------------------|----|
| Dimmable | No |

| Mechanical and Housing | |
|-----------------------------|----------------------|
| Housing Material | Polycarbonate |
| Optical cover/lens material | Polycarbonate |
| Mounting device | Allen screw fixation |
| Optical cover/lens finish | Matte |
| Overall height | 62 mm |
| Overall diameter | 200 mm |

LED Wall Mount

| | |
|--|---|
| Color | Dark gray |
| Approval and Application | |
| Ingress protection code | IP65 [Dust penetration-protected, jet-proof] |
| Mech. impact protection code | IK08 [5 J vandal-protected] |
| Initial Performance (IEC Compliant) | |
| Initial luminous flux (system flux) | 240 lm |
| Luminous flux tolerance | +/-10% |
| Initial LED luminaire efficacy | 41.38 lm/W |
| Init. Corr. Color Temperature | 3000 K |
| Init. Color Rendering Index | >80 |
| Initial input power | 5.8 W |
| Power consumption tolerance | +/-10% |

Application Conditions

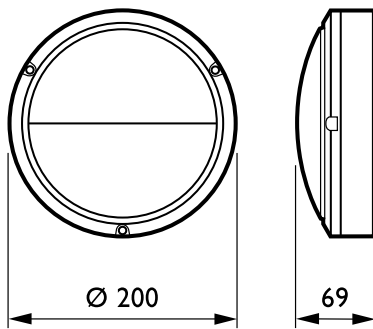
| | |
|---------------------------|---------------|
| Ambient temperature range | -20 to +40 °C |
|---------------------------|---------------|

Product Data

| | |
|---------------------------------|------------------------------------|
| Full product code | 911401178880 |
| Order product name | BWS150 LED200/WW PSU 220-240V 7043 |
| EAN/UPC - Product | 8718291995470 |
| Order code | 911401178880 |
| Numerator - Quantity Per Pack | 1 |
| Numerator - Packs per outer box | 24 |
| Material Nr. (12NC) | 911401178880 |
| Net Weight (Piece) | 0.580 kg |



Dimensional drawing



LED Wall mount BWS150

